

Ensure the silicone is sitting parallel on the hole below it. Hold at eye level to check the position is correct

Ensuring that the AQUAvalve5 floods and drains correctly

- 1** Making sure your AQUAvalve5 floods and drains correctly is simply achieved and only takes a few seconds.
- 2** Hold the AQUAvalve5 at eye level so that you can see the silicone fitted to the top float resting on the hole below it.
- 3** The silicone must create a tight seal when touching the hole.
- 4** If it looks like it is not sitting parallel on the hole below, simply lift the top float and apply pressure to one side of the silicone, drop the float and hold at eye level again. Repeat the procedure if necessary.

Care and maintenance

- 1** At the end of your growing season, clean the AQUAvalve5 using warm soapy water. Using an old tooth brush will help.

The AQUAvalve5 is easily disassembled. The top float will slide all the way across and the bottom float is unclipped from its pivoting position. The circular discs fitted to the top float can also be removed by using pliers to grip the raised point.

At this point is it advisable to remove the silicones to avoid them being lost.
- 2** It is also handy to have a paper clip or pipe cleaner to hand so that you can push it through the AQUAvalve5 nozzle, this will remove any lime scale build up that may have occurred during the growing season.

Blowing through the AQUAvalve5 nozzle will also help to remove any build up. Do not under any circumstances use a drill & drill bit to clear the AQUAvalve5 nozzle.

This will potentially damage the AQUAvalve5 beyond repair.

Your 9Pot XXL set-up guidelines



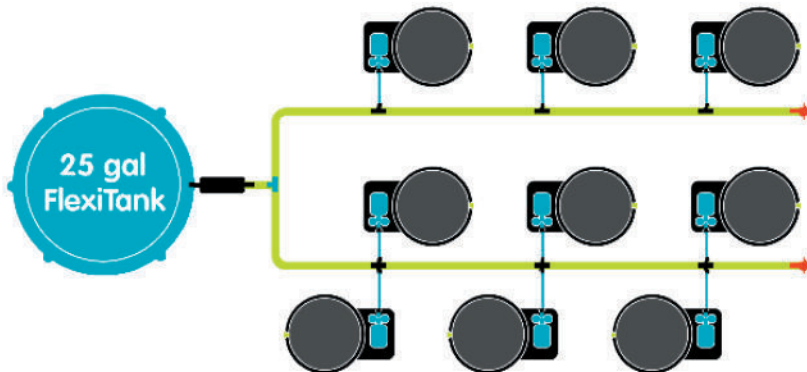
9Pot XXL System contents

- 1x 25 gal FlexiTank (with res. option)
- 1x 1/2" click-fit adapter & filter
- 9x 1Pot XXL tray, lid & 3/8" grommet
- 9x 1/4" blanking grommet
- 2x 1/2" inline tap
- 9x 9 gal or 13 gal fabric pot
- 9x AQUAvalve5
- 1x 1/2" tee connector
- 3x 1/2"-3/8" cross connector
- 3x 1/2"-3/8" tee connector
- 19.5 ft of 1/2" pipe
- 14.5 ft of 3/8" pipe
- 9x root control PotSock

Plan views and options

Suggested layouts

System requires minimum 25 gal reservoir
Elevate reservoir 6" to maintain gravity pressure

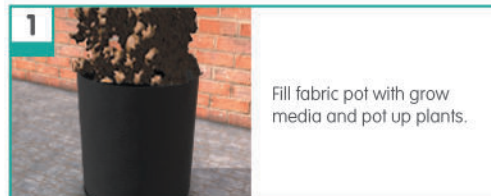


- | | | | |
|--|--------------------------------------|--|-----------------------------|
| | AQUAvalve5 | | 1/2" - 3/8" cross connector |
| | 1/2" click-fit tank adaptor & filter | | 1/2" - 3/8" tee connector |
| | 3/8" pipe | | 1/2" tee connector |
| | 1/2" pipe | | 1/2" in-line tap |
| | 3/8" grommet | | 1/4" blanking grommet |

Advice

- Please note that multiple fabric pots may increase room humidity due to the porosity of their exposed surfaces.
- Pot up your plants, water through, then allow your plants to establish in the pots for a period of 7 to 10 days before turning your system on. This will encourage a stronger and healthier root system.
- Always raise your reservoir to a minimum of 6" above the highest AQUAvalve and re-fill the reservoir when there is approximately a 1/3 of the solution left - NEVER ALLOW THE RESERVOIR TO RUN EMPTY.
- With AQUAvalve5 systems mineral or organic fertilisers may be fed via the reservoir and pipework. Organic fertilisers will require a water pump in the reservoir running for 15 mins every 2 hrs and cleaning of the reservoir, pump, and filter each time the reservoir empties. Flush pipework with plain water every time the reservoir empties.
- Clean all substrate from the bottom and sides of the pots before placing in trays to ensure AQUAvalve functionality.
- Always use free draining substrates, for example: soil/perlite, coco/perlite, soil/clay pebbles, coco/clay pebbles, rockwool/clay pebbles.

9Pot XXL setup instructions



Fill fabric pot with grow media and pot up plants.



Fit PotSock over the base of fabric pot
Water through pot and allow to drain outside the tray. Brush off debris.



The 1/4" Blanking Grommet should come ready-fitted in the hole in the front of the tray
If growing outdoors remove this grommet. **If growing indoors keep this grommet in place.**



The 3/8" grommet (with hole) will need fitting into the square section of the tray.
From the outside of the tray push the 3/8" grommet into the hole in the tray wall.



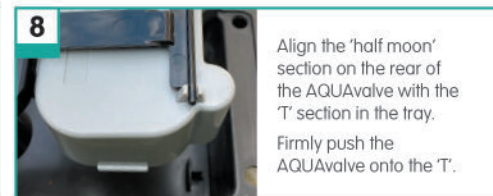
Thread approx 6" of 3/8" pipe into the tray through the grommet.
Wetting the pipe end with cold water helps harden it, aiding insertion.



Remove AQUAvalve collar
Push 3/8" pipe through collar and attach to AQUAvalve nozzle
Rescrew collar - **DON'T overturn...** when you feel it grip **STOP**



Remove any slack in the 3/8" pipe by drawing excess out of the tray.



Align the 'half moon' section on the rear of the AQUAvalve with the 'T' section in the tray.
Firmly push the AQUAvalve onto the 'T'.



Cut 3/8" / 1/2" pipe to appropriate length.



According to the size of your system connect your 3/8"/1/2" pipe to relevant fitting or tank...



Place fabric pot into the tray. Make sure it is **CLEAN!**
Place lid over AQUAvalve compartment on the tray.

SET-UP TIP

If using the 9 gallon fabric pot, we recommend having a drainage layer at the bottom of the pot.

If using the 13 gallon fabric pot, a drainage layer at the bottom of the pot is optional.

Using your front instruction sheet, repeat the module set up instructions for the number of trays.

Allow your plants to establish for 7-10 days before turning system on

Advice

If you require any guidance email - info@autopot-usa.com